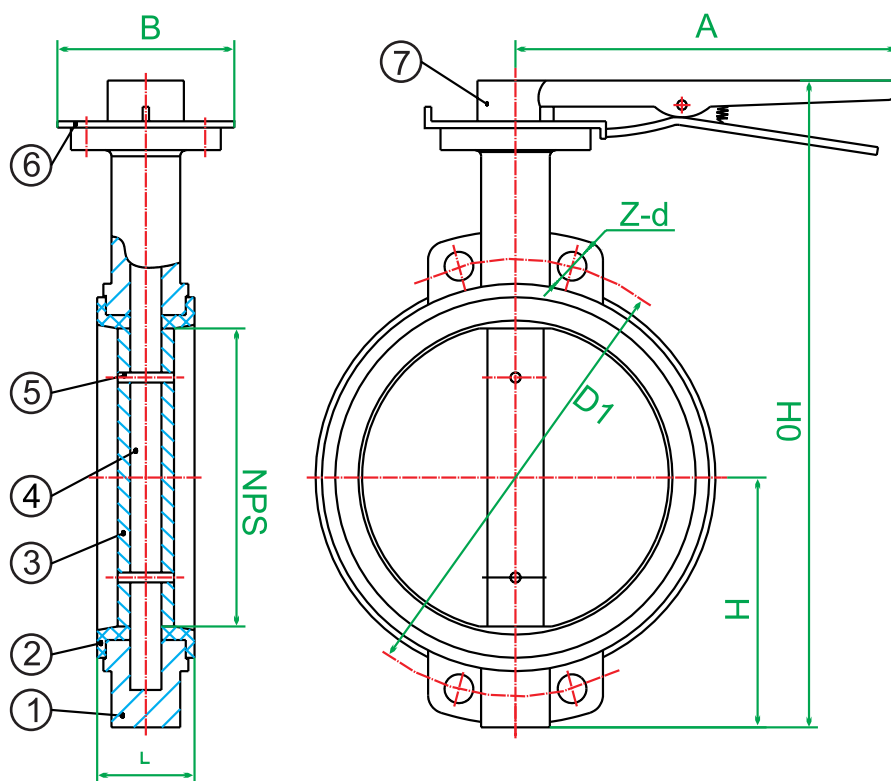


Robinet cu clapa fluture fonta PN16



SPECIFICATII PRINCIPALE

PRESIUNE NOMINALA	1.0 MPa
Incercare carcasa	1.5 MPa
Incercare izolatie	1.1 MPa(APA) 0.6 MPa(GAZ)
MEDIU APLICABILITATE	APA, GAZ
TEMPERATURA APLICABILA	$\leq 80^{\circ} \text{C}$
MATERIAL PRINCIPAL	Ht200

SPECIFICATII PARAMETRI PRINCIPALI

Standarde proiectare	Gb12238
Lungime structurala	GB15188.2
Standard flansa	Gb17241
Standarde testare	GB/T 13927

DENUMIRE PIESE + MATERIAL

1. Corp	ASTM A48/HT200
2. Inel locas	EPDM
3. Disc	ASTM A48/HT200
4. Tijă	ASTM AA182(F304)1Cr18Ni
5. Bulon articulatie	ASTM A105/35
6. Stativ direct	ASTM A105/35
7. Maner	ASTM A105/35

DIMENSIUNI CONSTRUCTIVE

mm	in	L	D1	Z-d	H	H0	A	B
50	2	43	125	4-19	63	235	266	65
65	2 1/2	46	145	4-19	70	250	266	65
80	3	46	160	8-19	83	275	266	65
100	4	52	180	8-19	105	316	266	65
125	5	56	210	8-19	115	340	310	90
150	6	56	240	8-23	137	376	310	90
200	8	60	295	8-23	164	470	370	130
250	10	68	350	12-23	206	555	370	130
300	10	68	350	12-23	206	555	370	130