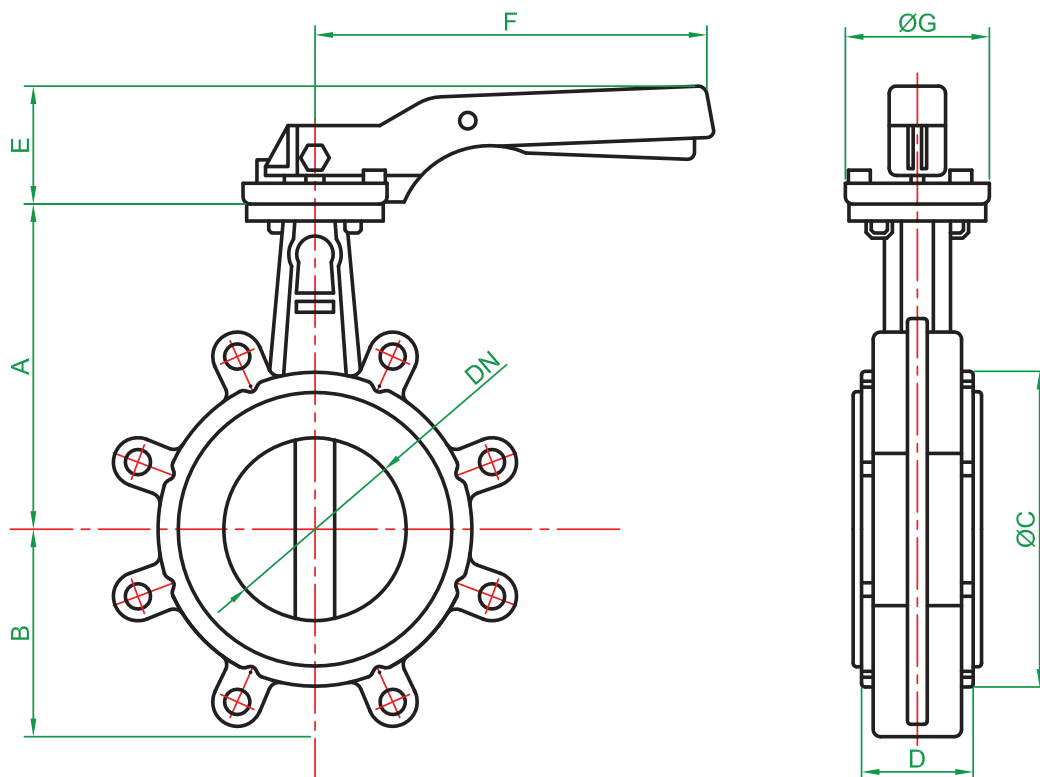
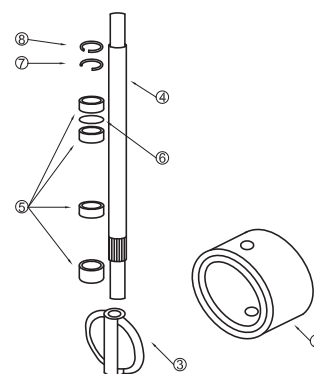


Robinet clapa fluture tip lug



SPECIFICATII PRINCIPALE

PRESIUNE Maxima	16 bari
MEDIU APLICABILITATE	HVAC
TEMPERATURA APLICABILA	10°C - 90°C
MATERIAL PRINCIPAL	Fonta



DENUMIRE PIESE + MATERIAL

1. Corp	Fonta EN-GJL 250
2. Inel locas	EPDM
3. Disc	Nichel EN-GJS-400-15
4. Tija	SS 416
5. Bulon articulatie	PTFE
6. Inel O	NBR
7. Siguranta	Otel

DIMENSIUNI CONSTRUCTIVE

DN	A	B	C	D	E	F	G	Tija	ISO	Kg
40	130	61	82	33	74	200	65	9	F05	2.7
50	136.5	77	95	43	74	200	65	9	F05	3.3
65	142	87.5	109	46	74	200	65	9	F05	4.05
80	158	95	127	46	74	200	65	9	F05	5.35
100	180	107	152	52	74	200	65	11	F05	6.2
125	192	121.5	180	56	79	278	90	14	F07	9.65
150	215	144	207	56	79	278	90	14	F07	11.75
200	242	171	260	60	37	355	125	17	F10	18.25
250	280	205	315	68	37	507	125	22	F12	32.25
300	310	235	370	78	37	507	150	27	F12	45