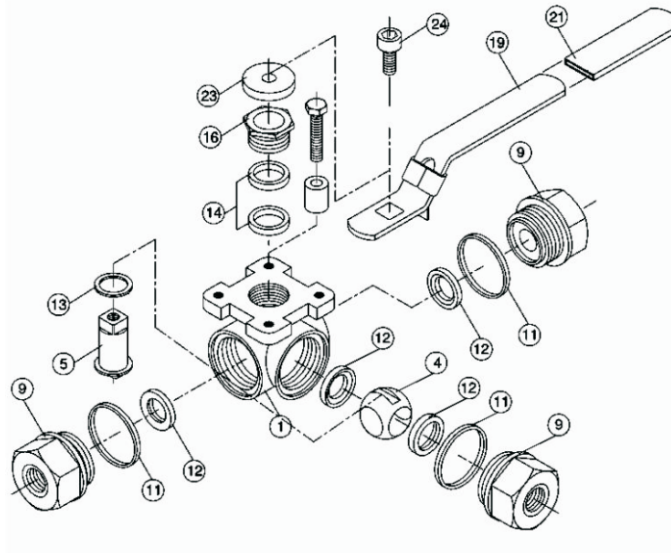


Robinet cu sertar cauciucat cu capete filetate



SPECIFICATII PRINCIPALE

PRESIUNE NOMINALA	1.6 MPa
TEMPERATURA APLICABILA	-30 C; +140 C
MATERIAL PRINCIPAL	Stainless steel

DENUMIRE PIESE + MATERIAL

1. Body	ASTM A351 CF8M
4. Ball	ASTM A351 CF8M
5. Stem	Ss316
9. Ends	ASTM A351 CF8M
11*Body seal	PTFE
12*Seat	PTFE with 15% glass
13*.Thrust washer	PTFE
14*Stem packing	PTFE
16. Gland nut	SS 304
19. Handle	SS 304
21. Handle cover	Plastic
23. Handle washer	SS 304
24. Handle nut	SS 304

(*: included in gaskets kit)