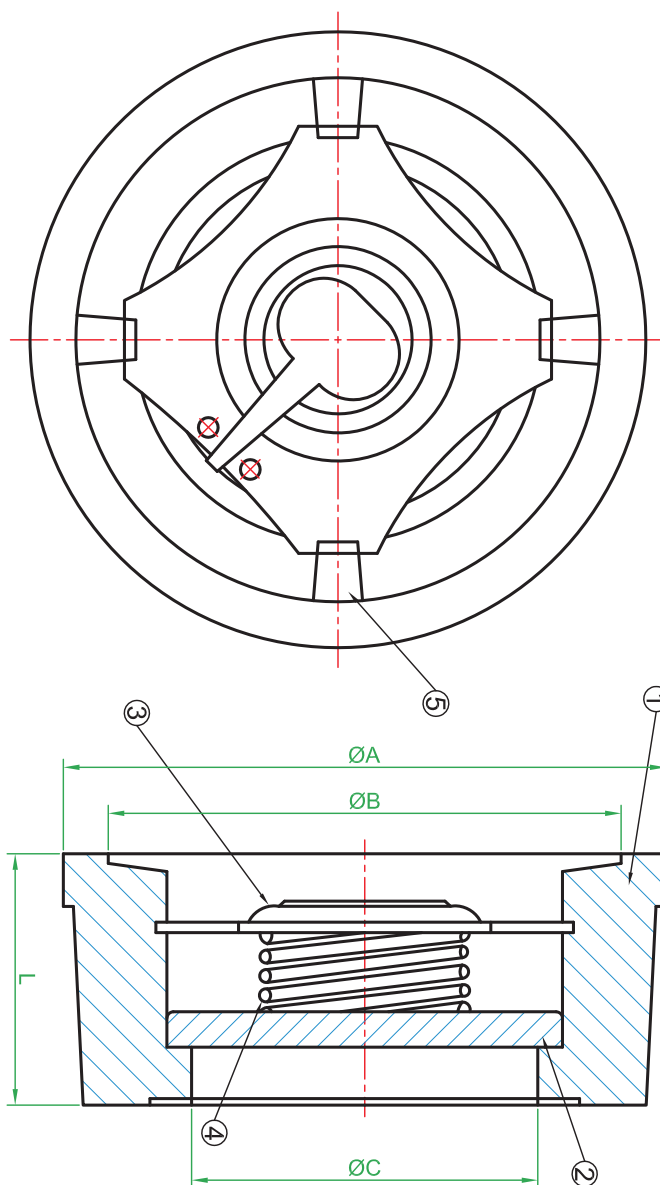


Robinet de retinere dublu disc



SPECIFICAȚII PRINCIPALE

PRESIUNE NOMINALA	1.6 MPa
Test corp	2.4 MPa
Test etansare	1.76MPa

DENUMIRE PIESE + MATERIAL

1. Body	Ss36
2. Disc	Ss36
3. Spring Retainer	Ss36
4. Spring	Ss36

DIMENSIUNI CONSTRUCTIVE

mm	φA	φB	φC	L
15	38.8	28.5	15	16.1
20	46	35.6	20	19.1
25	54	43	25.3	22.1
32	68.5	52.6	31	27.1
40	78	63.4	39.2	30.5
50	90	74.6	48.1	39.3
65	111	95.5	61.5	45.3
80	128	108.5	75	47.8
100	148.5	126.2	85	57.9